

ACS RUBBER EXPANSION JOINT EPDM THREADED BSP CAST IRON UNION FITTINGS

ACS EPDM expansion joint with cast iron union fittings to absorb vibrations and noises on water distribution, heating and HVAC networks.

Not advisable for hydrocarbons, greasy product and abrasive products.

EPDM double wave body and galvanized cast iron union fittings.

For linear and angular compansion.



Size : DN1/2" to DN3"

Connection : Threaded BSP

Min Temperature : -10°C

Max Temperature : +100°C

Max Pressure : 16 Bars

Specifications : Absorb vibrations and noises

Linear and angular compansion

Double wave EPDM ACS tube

Materials : Galvanized cast iron union fittings

ACS RUBBER EXPANSION JOINT EPDM THREADED BSP CAST IRON UNION FITTINGS

SPECIFICATIONS :

- Absorb vibration, noises and expansion
- Linear and angular compansion
- Double wave ACS EPDM Tube (ACS EPDM marking)
- Galvanized cast iron union fittings
- Blue epoxy painting color RAL 5005 on the fittings

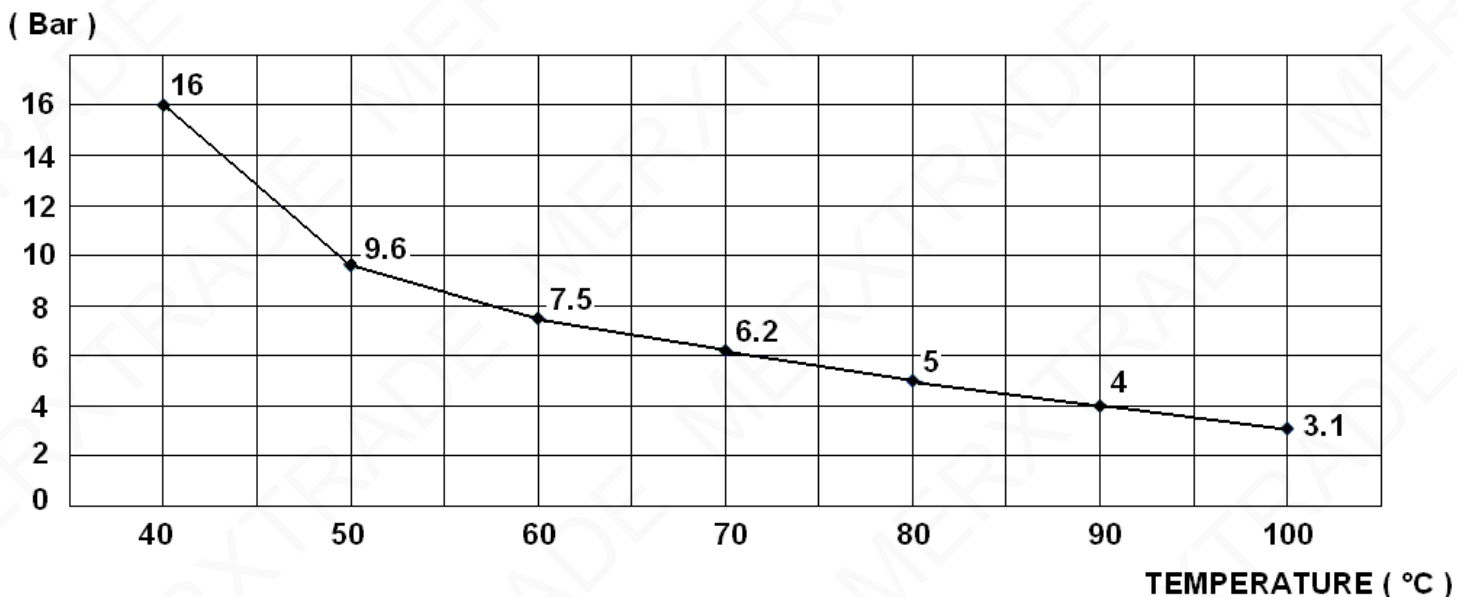
Marking example :



USE :

- Water distribution, drinkable water, heating and HVAC
- Min and max Temperature Ts : - 10°C to + 100°C
- Max Pressure Ps : 16 bars (see graph)

PRESSURE / TEMPERATURE GRAPH (STEAM EXCLUDED) :

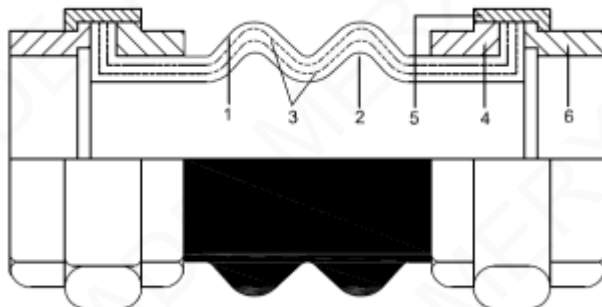


RANGE :

- ACS EPDM expansion joint threaded BSP with cast iron union fittings from DN 1/2" to DN 3" Ref. 1508

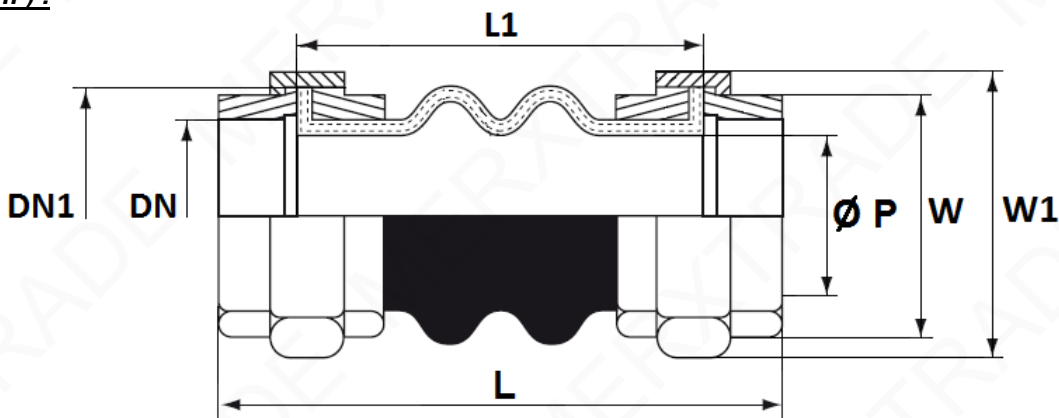
ACS RUBBER EXPANSION JOINT EPDM THREADED BSP CAST IRON UNION FITTINGS

MATERIALS :



Item	Designation	Materials
1	Cover	EPDM
2	Inner tube	EPDM ACS
3	Reinforcement	Nylon cord
4-5-6	Fittings	Galvanized cast iron

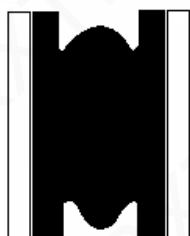
SIZE (in mm) :



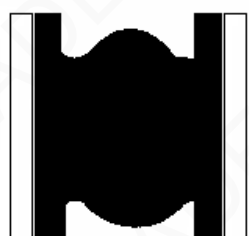
DN	1/2"	3/4"	1"	1"1/4	1"1/2	2"	2"1/2	3"
DN1	M42	M42	M52	M60	M68	M82	M98	M115
L	200	200	200	200	200	200	240	240
L1	151	151	150	143	137	130	166	156
Ø P	14	16	21	25	32	42	58	62
W (on flat)	27	33	41	50	55	69	85	97
W1 (on flat)	49	49	60	70	79	95	113	127
Weight (Kg)	0.6	0.55	0.85	1.25	1.6	2.4	3.5	5.2

ACS RUBBER EXPANSION JOINT EPDM THREADED BSP CAST IRON UNION FITTINGS

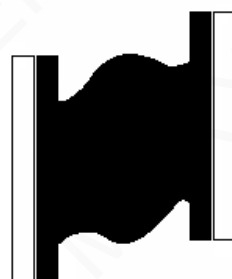
MOVEMENTS (in mm) :



Compansion



Expansion



Lateral



Angular

DN	1/2"	3/4"	1"	1"1/4	1"1/2	2"	2"1/2	3"
Compansion	22	22	22	22	22	22	22	22
Expansion	6	6	6	6	6	6	6	6
Lateral	22	22	22	22	22	22	22	22
Angular	30°	30°	30°	30°	30°	20°	15°	15°

Maximum movements can't be applied together

STANDARDS :

- Manufacturer certified ISO 9001 : 2015
- DIRECTIVE 2014/68/EU : Products excluded from directive (Article 4, § 3)
- Threaded BSP conical fittings according to ISO 7/1 Rc
- French water agreement **A.C.S. N° 21 MAT NY 007**
- Approval certificate **Marine LLOYD'S REGISTER**

ADVICE : Our opinion and our advice are not guaranteed and Merxtrade shall not be liable for the consequences of damages. The customer must check the right choice of the products with the real service conditions.